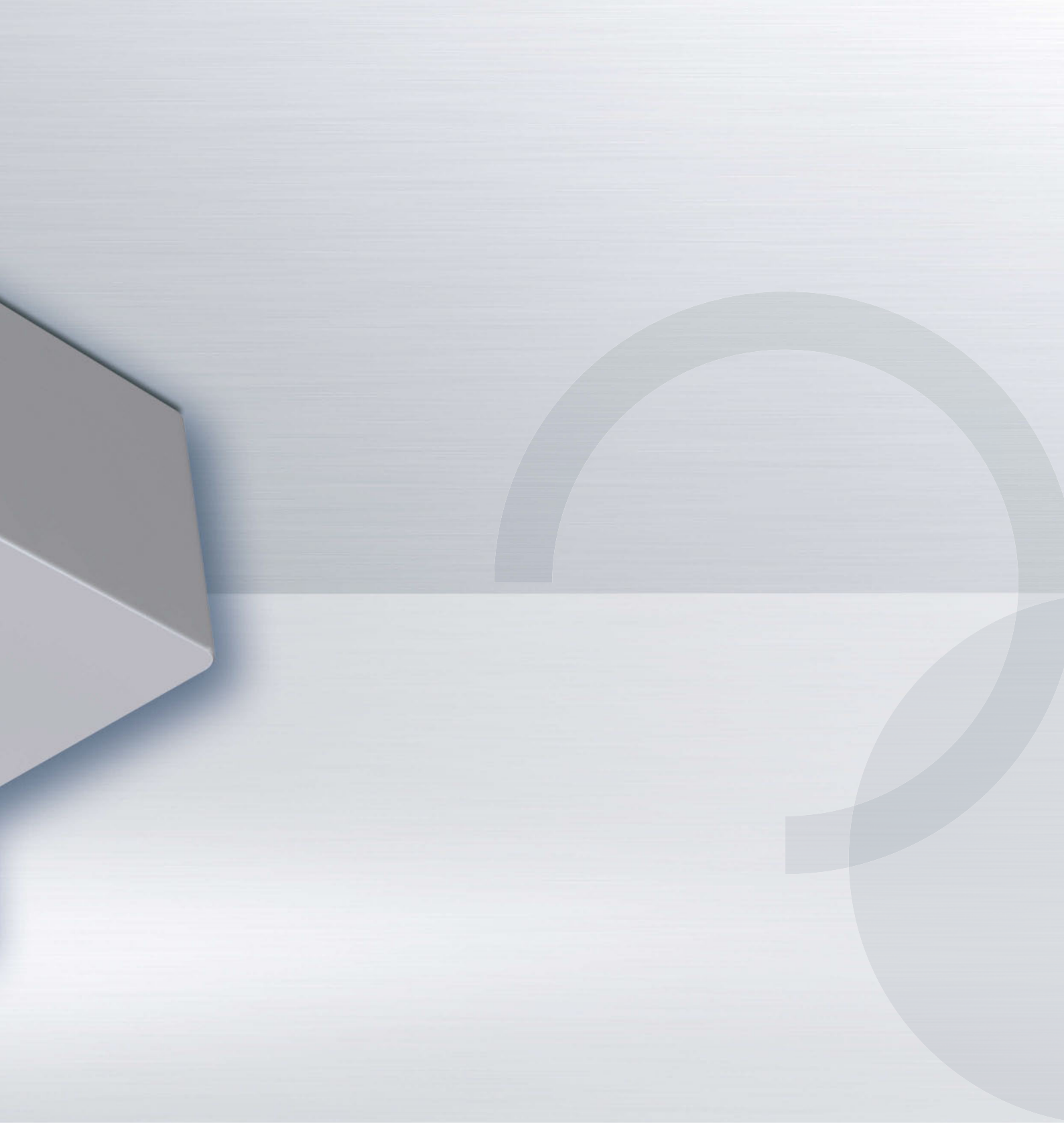


REVEN[®] RSC Series

Energy-saving sensor for capture hoods
and ceiling-mounted extractors





RANGE OF APPLICATION

Monitoring, control and adjustment of the exhaust airflow in duct air cleaners, capture hoods and ceiling-mounted extractors.

TECHNICAL HIGHLIGHTS

- Automatic demand-driven control of the exhaust air volume flow depending on ambient temperature and moisture.
- Continuous automatic control via variable output signals between 0 and 10 volts. Response time to changes in the ambient conditions (temperature and humidity) is two seconds maximum.
- Limitation of the airflow volume to the minimum value to ensure efficient separation.
- Adjustable maximum and minimum values for temperature and humidity. Output signal of 0 V at minimum and 10 V at maximum.
- Humidity and temperature sensors protected against contamination by easy-to-clean, sintered metal sleeves.
- Voltage supply via special power unit with smoothed output voltage: input voltage 230 V ~ output voltage 25 V =

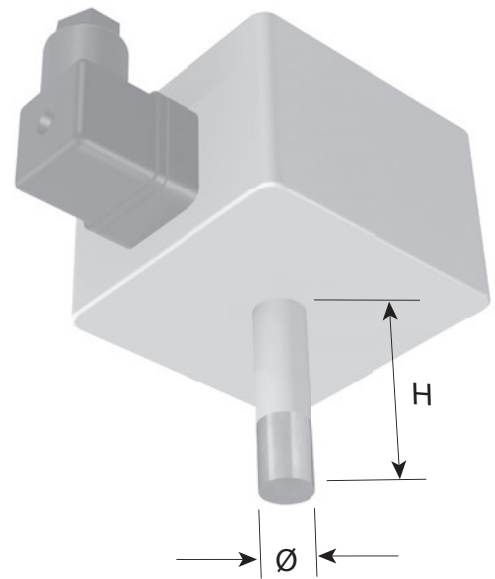
Further information

www.reven.de (Links/Speed Control Videos)



ACCESSORIES

- REVEN® Software and SIEMENS® SIMATIC® control module for the interpretation of sensor signals and the control of equipment by customer such as frequency converters, fans and MSR systems.



TECHNICAL DATA – REVEN® RSC SERIES

Type of device	Voltage [V]	Signale		Dimensions	
		Humidity [V]	Temperature [V]	Height [mm]	Diameter [mm]
RSC-Sensor	24	0 – 10	0 – 10	50	14

Note:
Please observe the information on page 32.